


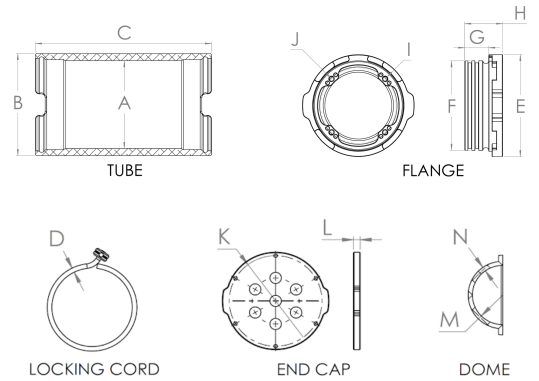
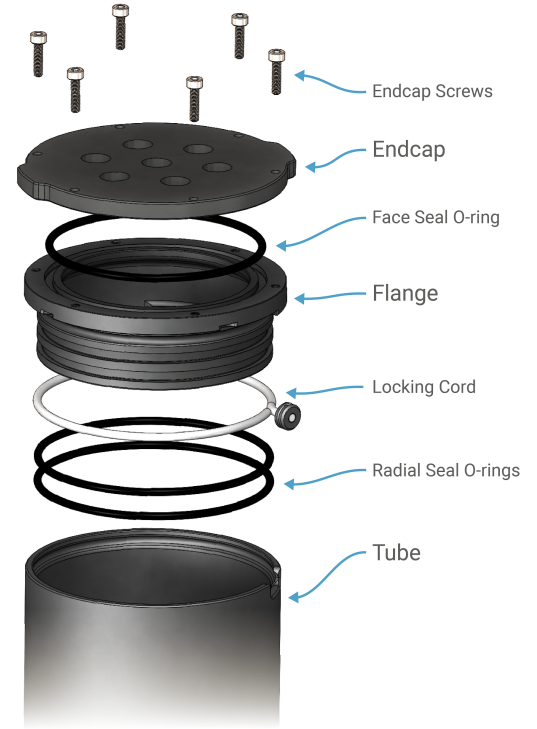



Tubes

Series Diameter [mm]	Tube Material / Finish	(A) Tube ID [mm]	(B) Tube OD [mm]	(C) Overall Length <sup>1</sup> [mm]	Weight [g]	Depth Rating <sup>2</sup> [msw]	Item Number	
 50 (2")	6061-T6 Aluminum, Anodized	Ø50.0 ± 0.5	Ø58.0 ± 0.2	100	169	1000	BR-106277-100	
				150	261		BR-106277-150	
				300	536		BR-106277-300	
	Cast Acrylic	Ø49.5 ± 1.5	Ø58.0 ± 1.0	100	75	225	BR-100230-101	
				150	115	130	BR-100230-151	
				300	238	100	BR-100230-301	
 75 (3")	6061-T6 Aluminum, Anodized	Ø79.0 ± 0.5	Ø86.5 ± 0.3	150	328	1000	BR-106278-150	
				240	530		BR-106278-240	
				300	665		BR-106278-300	
				400	890		BR-106278-400	
	Cast Acrylic	Ø76.2 ± 2.0	Ø88.9 ± 0.7	150	264	275	BR-102649-150	
				240	442	150	BR-102649-240	
 100 (4")	6061-T6 Aluminum, Anodized	Ø103.0 ± 0.5	Ø112.0 ± 0.3	200	707	1000	BR-106279-200	
				300	1066		1000	BR-106279-300
				400	1426		900	BR-106279-400
	Cast Acrylic	Ø101.6 ± 2.1	Ø114.3 ± 0.8	200	488	140	BR-101052-200	
				300	746	100	BR-101052-300	
				400	1004	60	BR-101052-400	
 130 (5")	6061-T6 Aluminum, Anodized	Ø130 ± 0.5	Ø138.7 ± 0.3	300	1450	1000	BR-106280-300	
				500	2441	650	BR-106280-500	
 150 (6")	6061-T6 Aluminum, Anodized	Ø150 ± 0.5	Ø163.9 ± 0.3	300	2510	800	BR-106281-300	
				500	4360	800	BR-106281-500	
 200 (8")	6061-T6 Aluminum, Anodized	Ø200 ± 0.5	Ø214.2 ± 0.3	300	3420	800	BR-106282-300	
				500	5915	800	BR-106282-500	



<sup>1</sup> Overall tube length tolerance ± 0.5 mm      <sup>2</sup> The depth ratings for cast acrylic components are applicable only for short-term submersions of less than two weeks. For longer submersion, use aluminum components only.

Flanges

Series Diameter [mm]	Face Seal O-ring	Radial Seal O-ring	Material / Finish	(D) Locking Cord Diameter [mm]	(E) Flange OD [mm]	(F) Piston Diameter [mm]	(G) Piston Length [mm]	(H) Overall Length [mm]	(I) Inner Mounting Holes	(J) Inner Mounting Hole Circle	Weight [g]	Item Number				
 50 (2")	-030 Buna-N 70A	-031 Buna-N 70A	6061-T6 Aluminum, Anodized	2.8 ± 0.2	Ø58.0 ± 0.1	Ø50.93 ± 0.05	15.5 ± 0.1	21.5 ± 0.1	4x M3x0.5	Ø43.0 ± 0.1	41	BR-100276-998				
													75 (3")	-148 Buna-N 70A	-150 Buna-N 70A	Ø88.9 ± 0.1
100 (4")	-154 Buna-N 70A	-154 Buna-N 70A														
								130 (5")					-157 Buna-N 70A	-248 Buna-N 70A	Ø137.7 ± 0.1	Ø130.89 ± 0.05
150 (6")	-162 Buna-N 70A	-255 Buna-N 70A														
								200 (8")					-170 Buna-N 70A	-265 Buna-N 70A	Ø215.7 ± 0.1	Ø205.91 ± 0.07
200 (8")	-170 Buna-N 70A	-265 Buna-N 70A	Ø215.7 ± 0.1	Ø205.91 ± 0.07	8x M3x0.5	Ø186.0 ± 0.1	540		BR-102202							

End Caps

Series Diameter [mm]		Material	Hole Configuration	Endcap Screws (SS316 Socket Head Cap Screws)	(K) Endcap Screw Hole Circle	(L) Thickness [mm]	Weight [g]	Depth Rating [msw]	Item Number
<b>50 (2")</b> 		Cast Acrylic	Blank (No holes)	6x M2x0.4-10	Ø50.8 ± 0.1	6 <sup>4.85 min</sup> <sub>6.63 max</sub>	17	500	BR-100094
		6061-T6 Aluminum, Anodized	Blank (No holes)	<b>Note: Flange integral to endcap, does not require separate flange</b>	63	1000	BR-100276-999		
			2x M10 Hole		59			BR-100276-002	
			4x M10x1.5 Threaded		58			BR-100276-004	
			1x M10 Hole 8x M6x1 Threaded		60			BR-100276-009	
<b>75 (3")</b> 		Cast Acrylic	Blank (No holes)	6x M3x0.5-12	Ø82.6 ± 0.1	9 <sup>7.47 min</sup> <sub>9.75 max</sub>	58	400	BR-100949-998
		6061-T6 Aluminum, Anodized	Blank (No holes)			102	1000	BR-100949-999	
			4x M10 Hole			97			BR-100949-004
			7x M10 Hole			93			BR-100949-007
<b>100 (4")</b> 		Cast Acrylic	Blank (No holes)	6x M3x0.5-16	Ø108.0 ± 0.1	12.7 <sup>10.20 min</sup> <sub>12.75 max</sub>	135	300	BR-102993-998
		6061-T6 Aluminum, Anodized	Blank (No holes)	6x M3x0.5-12		234	1000	BR-102993-999	
			5x M10 Hole			223			BR-102993-005
			10x M10 Hole			212			BR-102993-002
			7x M10 Hole			196			BR-102993-003
			11x M10x1.5 Threaded			195			BR-102993-004
			4x M14 Hole 1x M10 Hole			215			BR-102993-006
			8x M14 Hole 2x M10 Hole			195			BR-102993-006
			8x M14x1.5 Threaded 5x M10 Hole 2x M10x1.5 Threaded			186			BR-102993-007
			<b>130 (5")</b> 			7075-T6 Aluminum, Anodized			Blank (No holes)
5x M14 Hole 5x M10 Hole	393	BR-102203-002							
10x M14 Hole 7x M10 Hole	367	BR-102203-003							
11x M10 Hole	369	BR-102203-004							
15x M10x1.5 Threaded									
<b>150 (6")</b> 		Cast Acrylic	Blank (No holes)	10x M3x0.5-16	Ø158.7 ± 0.1	12.7 <sup>10.20 min</sup> <sub>12.75 max</sub>	331	150	BR-100273-004
		6061-T6 Aluminum, Anodized	Blank (No holes)	10x M3x0.5-12		6 ± 0.1	359	150	BR-100273-003
			5x M10 Hole			353	BR-100273-002		
			15x M10 Hole			339	BR-100273-001		
		7075-T6 Aluminum, Anodized	Blank (No holes)	10x M3x0.5-12		12 ± 0.1	687	1000	BR-102205-001
			5x M10 Hole 5x M14 Hole			647	1000	BR-102205-002	
			16x M14 Hole 13x M10 Hole			566	1000	BR-102205-003	
		<b>200 (8")</b> 		Cast Acrylic		Blank (No holes)	12x M3x0.5-16	Ø209.1 ± 0.1	12.7 <sup>10.20 min</sup> <sub>12.75 max</sub>
6061-T6 Aluminum, Anodized	Blank (No holes)			12x M3x0.5-12	6 ± 0.1	599	75		BR-101065-002
	5x M10 Hole				592	BR-101065-001			
7075-T6 Aluminum, Anodized	Blank (No holes)			12x M3x0.5-12	16 ± 0.1	1458	1000		BR-102206-001
	5x M10 Hole 5x M14 Hole				1370	BR-102206-002			
	10x M10 Hole 10x M14 Hole				1283	BR-102206-003			
	16x M14 Hole 14x M10 Hole				1191	BR-102206-004			

Domes

Series Diameter [mm]	Material	(M) Dome Internal Radius [mm]	(N) Dome Wall Thickness [mm]	Weight [g]	Depth Rating [msw]	Item Number
<b>50 (2")</b> 	Hardened PC Dome PC Retaining Ring	18.0 ± 0.1	2.50 ± 0.10	15	1000	BR-100859
<b>75 (3")</b> 	Hardened PC Dome PC Retaining Ring	31.25 ± 0.10	3.1 ± 0.1	39	750	BR-101059
<b>100 (4")</b> 	Hardened PC Dome PC Retaining Ring	43.5 ± 0.1	3.75 ± 0.10	81	500	BR-100495
	Hardened PC Dome Alum. Retaining Ring	44.0 ± 0.1	5.8 ± 0.10	160	1000	BR-107201
<b>130 (5")</b> 	Hardened PC Dome PC Retaining Ring	53.5 ± 0.05	7.00 ± 0.05	195	600	BR-102597

