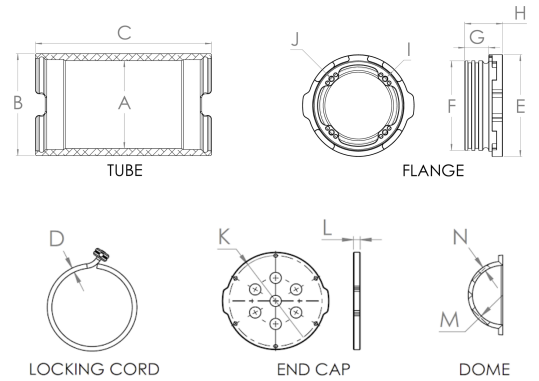
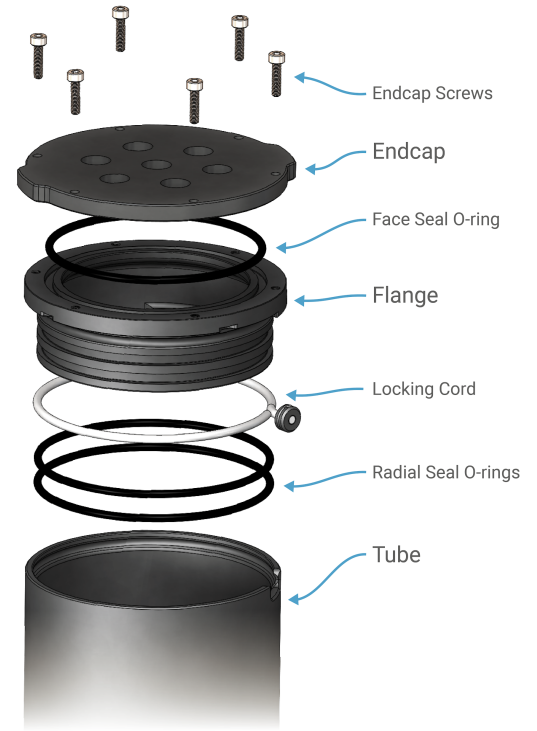


Tubes

Series Diameter [mm]	Tube Material / Finish	(A) Tube ID [mm]	(B) Tube OD [mm]	(C) Overall Length <sup>1</sup> [mm]	Weight [g]	Depth Rating <sup>2</sup> [msw]	Item Number
 50 (2")	6061-T6 Aluminum, Anodized	Ø50.0 ± 0.5	Ø58.0 ± 0.2	100	169	1000	BR-106277-100
				150	261		BR-106277-150
				300	536		BR-106277-300
	Cast Acrylic	Ø49.5 ± 1.5	Ø58.0 ± 1.0	100	75	225	BR-100230-101
				150	115	130	BR-100230-151
				300	238	100	BR-100230-301
 75 (3")	6061-T6 Aluminum, Anodized	Ø79.0 ± 0.5	Ø86.5 ± 0.3	150	328	1000	BR-106278-150
				240	530		BR-106278-240
				300	665		BR-106278-300
				400	890		BR-106278-400
	Cast Acrylic	Ø76.2 ± 2.0	Ø88.9 ± 0.7	150	264	275	BR-102649-150
				240	442	150	BR-102649-240
 100 (4")	6061-T6 Aluminum, Anodized	Ø103.0 ± 0.5	Ø112.0 ± 0.3	200	707	1000	BR-106279-200
				300	1066	1000	BR-106279-300
				400	1426	900	BR-106279-400
	Cast Acrylic	Ø101.6 ± 2.1	Ø114.3 ± 0.8	200	488	140	BR-101052-200
300				746	100	BR-101052-300	
 130 (5")	6061-T6 Aluminum, Anodized	Ø130 ± 0.5	Ø138.7 ± 0.3	300	1450	1000	BR-106280-300
				500	2441	650	BR-106280-500
 150 (6")	6061-T6 Aluminum, Anodized	Ø150 ± 0.5	Ø163.9 ± 0.3	300	2510	800	BR-106281-300
				500	4360	800	BR-106281-500
 200 (8")	6061-T6 Aluminum, Anodized	Ø200 ± 0.5	Ø214.2 ± 0.3	300	3420	800	BR-106282-300
				500	5915	800	BR-106282-500



Flanges

Series Diameter [mm]	Face Seal O-ring	Radial Seal O-ring	Material / Finish	(D) Locking Cord Diameter [mm]	(E) Flange OD [mm]	(F) Piston Diameter [mm]	(G) Piston Length [mm]	(H) Overall Length [mm]	(I) Inner Mounting Holes	(J) Inner Mounting Hole Circle	Weight [g]	Item Number				
 50 (2")	-030 Buna-N 70A	-030 Buna-N 70A	6061-T6 Aluminum, Anodized	2.8 ± 0.2	Ø58.0 ± 0.1	Ø50.95 ± 0.05	15.5 ± 0.1	21.5 ± 0.1	4x M3x0.5	Ø43.0 ± 0.1	41	BR-100628-998				
													75 (3")	-148 Buna-N 70A	-150 Buna-N 70A	Ø88.9 ± 0.1
100 (4")	-154 Buna-N 70A	-154 Buna-N 70A														
								130 (5")					-157 Buna-N 70A	-248 Buna-N 70A	Ø137.7 ± 0.1	Ø130.45 ± 0.05
150 (6")	-162 Buna-N 70A	-255 Buna-N 70A														
								200 (8")					-170 Buna-N 70A	-265 Buna-N 70A	Ø215.7 ± 0.1	Ø205.95 ± 0.05

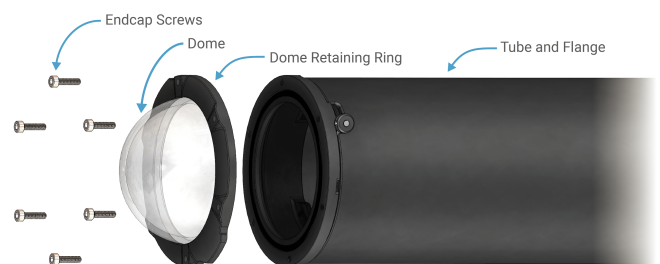
800

End Caps

Series Diameter [mm]		Material	Hole Configuration	Endcap Screws (SS316 Socket Head Cap Screws)	(K) Endcap Screw Hole Circle	(L) Thickness [mm]	Weight [g]	Depth Rating <sup>2</sup> [msw]	Item Number								
 	50 (2")	Cast Acrylic	Blank (No holes)	6x M2x0.4-10	Ø50.8 ± 0.1	6 <sup>4.85 min</sup> 6.63 max	17	500	BR-100094								
		6061-T6 Aluminum, Anodized	Blank (No holes)				<b>Note: Flange integral to endcap, does not require separate flange</b>	63	1000	BR-100276-999							
			2x M10 Hole					59		BR-100276-002							
			4x M10x1.5 Threaded					58		BR-100276-004							
			1x M10 Hole 8x M6x1 Threaded					60		BR-100276-009							
	75 (3")	Cast Acrylic	Blank (No holes)	6x M3x0.5-12	Ø82.6 ± 0.1	9 <sup>7.47 min</sup> 9.75 max	58	400	BR-100949-998								
		6061-T6 Aluminum, Anodized	Blank (No holes)				<b>Note: Flange integral to endcap, does not require separate flange</b>	102	1000	BR-100949-999							
			4x M10 Hole					97		BR-100949-004							
			7x M10 Hole					93		BR-100949-007							
	100 (4")	Cast Acrylic	Blank (No holes)	6x M3x0.5-16	Ø108.0 ± 0.1	12.7 <sup>10.20 min</sup> 12.75 max	135	300	BR-102993-998								
		6061-T6 Aluminum, Anodized	Blank (No holes)				<b>Note: Flange integral to endcap, does not require separate flange</b>	234	1000	BR-102993-999							
			5x M10 Hole					223		BR-102993-005							
			10x M10 Hole					212		BR-102993-002							
			7x M10 Hole 11x M10x1.5 Threaded					196		BR-102993-003							
			4x M14 Hole 1x M10 Hole					215		BR-102993-004							
			8x M14 Hole 2x M10 Hole					195		BR-102993-006							
			8x M14x1.5 Threaded 5x M10 Hole 2x M10x1.5 Threaded					186		BR-102993-007							
								130 (5")		7075-T6 Aluminum, Anodized	Blank (No holes)	10x M3x0.5-12	Ø133.0 ± 0.1	10 ± 0.1	427	1000	BR-102203-001
											5x M14 Hole 5x M10 Hole				393		BR-102203-002
10x M14 Hole 7x M10 Hole	367	BR-102203-003															
11x M10 Hole 15x M10x1.5 Threaded	369	BR-102203-004															
	150 (6")	Cast Acrylic	Blank (No holes)	10x M3x0.5-16	Ø158.7 ± 0.1	12.7 <sup>10.20 min</sup> 12.75 max	331	150	BR-100273-004								
		6061-T6 Aluminum, Anodized	Blank (No holes)				<b>Note: Flange integral to endcap, does not require separate flange</b>	10x M3x0.5-12	6 ± 0.1	359	150	BR-100273-003					
			5x M10 Hole							353		BR-100273-002					
			15x M10 Hole							339		BR-100273-001					
		7075-T6 Aluminum, Anodized	Blank (No holes)				<b>Note: Flange integral to endcap, does not require separate flange</b>	10x M3x0.5-12	12 ± 0.1	687	1000	BR-102205-001					
			5x M10 Hole 5x M14 Hole							647	1000	BR-102205-002					
16x M14 Hole 13x M10 Hole	566		1000	BR-102205-003													
	200 (8")	Cast Acrylic	Blank (No holes)	12x M3x0.5-16	Ø209.1 ± 0.1	12.7 <sup>10.20 min</sup> 12.75 max	564	75	BR-101065-003								
		6061-T6 Aluminum, Anodized	Blank (No holes)				<b>Note: Flange integral to endcap, does not require separate flange</b>	12x M3x0.5-12	6 ± 0.1	599	75	BR-101065-002					
			5x M10 Hole							592		BR-101065-001					
		7075-T6 Aluminum, Anodized	Blank (No holes)				<b>Note: Flange integral to endcap, does not require separate flange</b>	12x M3x0.5-12	16 ± 0.1	1458	1000	BR-102206-001					
			5x M10 Hole 5x M14 Hole							1370		BR-102206-002					
			10x M10 Hole 10x M14 Hole							1283		BR-102206-003					
			16x M14 Hole 14x M10 Hole							1191		BR-102206-004					

Domes

Series Diameter [mm]	Material	(M) Dome Internal Radius [mm]	(N) Dome Wall Thickness [mm]	Weight [g]	Depth Rating [msw]	Item Number
50 (2")	Hardened Polycarbonate Dome, Polycarbonate Retaining Ring	18.0 ± 0.1	2.50 ± 0.10	15	1000	BR-100859
75 (3")		31.25 ± 0.10	3.1 ± 0.1	39	750	BR-101059
100 (4")		43.5 ± 0.1	3.75 ± 0.10	81	500	BR-100495
130 (5")		53.5 ± 0.05	7.00 ± 0.05	195	600	BR-102597



<sup>1</sup> Overall tube length tolerance ± 0.5 mm

<sup>2</sup> The depth ratings for cast acrylic components are applicable only for short-term submersions of less than two weeks. For longer submersion, use aluminum components only.