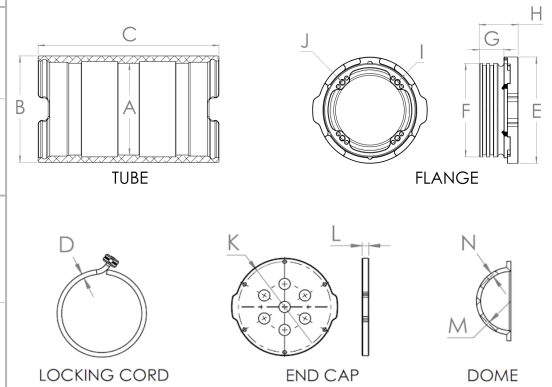
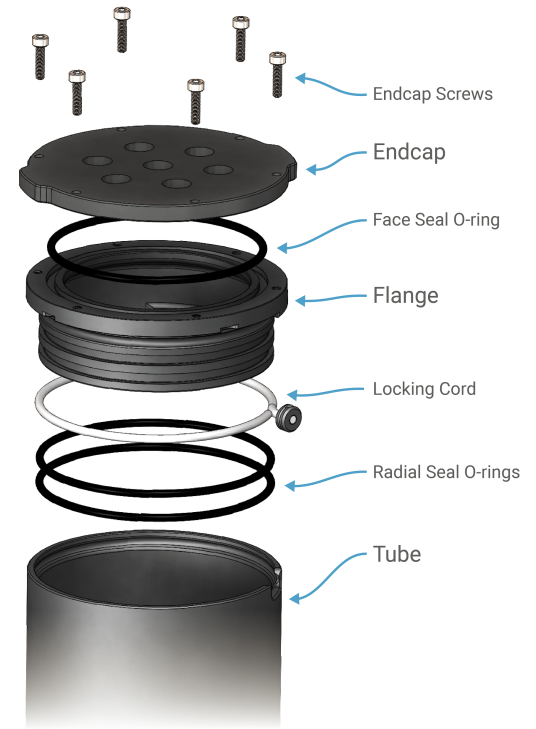


Tubes

Series Diameter [mm]	Tube Material / Finish	(A) Tube ID [mm]	(B) Tube OD [mm]	(C) Overall Length ¹ [mm]	Weight [g]	Depth Rating ² [msw]	Item Number
 50 (2")	6061-T6 Aluminum, Type III Anodized	Ø50.0 ± 0.5	Ø58.0 ± 0.2	100	169	1000	BR-100534-100
				150	261		BR-100534-150
				300	536		BR-100534-300
	Cast Acrylic	Ø49.5 ± 1.5	Ø58.0 ± 1.0	100	75	225	BR-100230-101
				150	115	130	BR-100230-151
				300	238	100	BR-100230-301
 75 (3")	6061-T6 Aluminum, Type III Anodized	Ø80.14 ± 0.20	Ø86.5 ± 0.3	150	328	1000	BR-100611-150
				240	530	1000	BR-100611-240
				300	665	900	BR-100611-300
				400	890	750	BR-100611-400
	Cast Acrylic	Ø76.2 ± 2.0	Ø88.9 ± 0.7	150	264	275	BR-101066
				240	442	150	BR-100352
 100 (4")	6061-T6 Aluminum, Type III Anodized	Ø104.16 ± 0.20	Ø112.0 ± 0.3	200	707	1000	BR-100195-200
				300	1066	1000	BR-100195-300
				400	1426	800	BR-100195-400
	Cast Acrylic	Ø101.6 ± 2.1	Ø114.3 ± 0.8	200	488	140	BR-101052-200
				300	746	100	BR-101052-300
				400	1004	60	BR-101052-400
 130 (5")	6061-T6 Aluminum, Type III Anodized	Ø130 ± 0.5	Ø138.7 ± 0.3	300	1450	1000	BR-101409-300
				500	2441	500	BR-101409-500
 150 (6")	6061-T6 Aluminum, Type III Anodized	Ø150 ± 0.5	Ø163.9 ± 0.3	300	2510	1000	BR-101411-300
				500	4360	1000	BR-101411-500
 200 (8")	6061-T6 Aluminum, Type III Anodized	Ø200 ± 0.5	Ø214.2 ± 0.3	300	3420	1000	BR-101412-300
				500	5915	1000	BR-101412-500

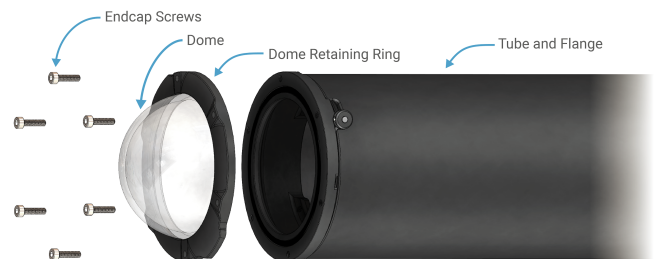


Flanges

Series Diameter [mm]	Face Seal O-ring	Radial Seal O-ring	Material / Finish	(D) Locking Cord Diameter [mm]	(E) Flange OD [mm]	(F) Piston Diameter [mm]	(G) Piston Length [mm]	(H) Overall Length [mm]	(I) Inner Mounting Holes	(J) Inner Mounting Hole Circle	Weight [g]	Item Number
 50 (2")	-030 Buna-N 70A	-031 Buna-N 70A	6061-T6 Aluminum, Type III Anodized	2.8 ± 0.2	Ø58.0 ± 0.1	Ø50.93 ± 0.05	15.5 ± 0.1	21.5 ± 0.1	4x M3x0.5	Ø43.0 ± 0.1	41	BR-100276-998
 75 (3")	-148 Buna-N 70A	-150 Buna-N 70A			Ø88.9 ± 0.1	Ø79.93 ± 0.05	19.1 ± 0.1	27.0 ± 0.1		Ø68.6 ± 0.1	81	BR-100647
 100 (4")	-154 Buna-N 70A	-154 Buna-N 70A			Ø114.3 ± 0.1	Ø103.91 ± 0.05				Ø94.0 ± 0.1	107	BR-100665
 130 (5")	-157 Buna-N 70A	-248 Buna-N 70A			Ø137.7 ± 0.1	Ø130.89 ± 0.05	28.0 ± 0.1	34.0 ± 0.1	8x M3x0.5	Ø115.0 ± 0.1	238	BR-102200
 150 (6")	-162 Buna-N 70A	-255 Buna-N 70A			Ø165.4 ± 0.1	Ø156.40 ± 0.06	30.0 ± 0.1	36.0 ± 0.1		Ø142.0 ± 0.1	308	BR-102201
 200 (8")	-170 Buna-N 70A	-265 Buna-N 70A			Ø215.7 ± 0.1	Ø205.91 ± 0.07	36.0 ± 0.1	42.0 ± 0.1		Ø186.0 ± 0.1	540	BR-102202

Series Diameter [mm]		Material	Hole Configuration	Endcap Screws (SS316 Socket Head Cap Screws)	(K) Endcap Screw Hole Circle	(L) Thickness [mm]	Weight [g]	Depth Rating ² [msw]	Item Number				
Warning: Images not to scale 		Cast Acrylic	Blank (No holes)	6x M2x0.4-10	Ø50.8 ± 0.1	6 4.85 min 6.63 max	17	500	BR-100094				
		6061-T6 Aluminum, Type III Anodized	Blank (No holes)	6x M3x0.5-12	Ø82.6 ± 0.1	9 7.47 min 9.75 max	6 ± 0.1	58	400	BR-100276-999			
			2x M10 Hole							BR-100276-002			
			4x M10x1.5 Threaded							BR-100276-004			
			1x M10 Hole 8x M6x1 Threaded							BR-100276-009			
		Cast Acrylic	Blank (No holes)	6x M3x0.5-12	Ø82.6 ± 0.1	9 7.47 min 9.75 max	58	400	BR-100949-998				
		6061-T6 Aluminum, Type III Anodized	Blank (No holes)						BR-100949-999				
			4x M10 Hole						BR-100949-004				
			7x M10 Hole						BR-100949-007				
		Cast Acrylic	Blank (No holes)	6x M3x0.5-16	Ø108.0 ± 0.1	12.7 10.20 min 12.75 max	135	300	BR-102993-998				
		6061-T6 Aluminum, Type III Anodized	Blank (No holes)						BR-102993-999				
			5x M10 Hole						BR-102993-005				
			10x M10 Hole						BR-102993-002				
			7x M10 Hole						196	BR-102993-003			
			11x M10x1.5 Threaded							BR-102993-004			
			4x M14 Hole 1x M10 Hole							BR-102993-006			
			8x M14 Hole 2x M10 Hole						195	BR-102993-007			
			8x M14x1.5 Threaded 5x M10 Hole 2x M10x1.5 Threaded							186			
									7075-T6 Aluminum, Type III Anodized	Blank (No holes)	10x M3x0.5-12	Ø133.0 ± 0.1	10 ± 0.1
5x M14 Hole 5x M10 Hole	BR-102203-002												
10x M14 Hole 7x M10 Hole	BR-102203-003												
11x M10 Hole 15x M10x1.5 Threaded	BR-102203-004												
		Cast Acrylic	Blank (No holes)	10x M3x0.5-16	Ø158.7 ± 0.1	12.7 10.20 min 12.75 max	331	150	BR-100273-004				
		6061-T6 Aluminum, Type III Anodized	Blank (No holes)						10x M3x0.5-12	6 ± 0.1	359	150	BR-100273-003
			5x M10 Hole										BR-100273-002
			15x M10 Hole										BR-100273-001
		7075-T6 Aluminum, Type III Anodized	Blank (No holes)						10x M3x0.5-12	12 ± 0.1	687	1000	BR-102205-001
			5x M10 Hole 5x M14 Hole										BR-102205-002
16x M14 Hole 13x M10 Hole	BR-102205-003												
		Cast Acrylic	Blank (No holes)	12x M3x0.5-16	Ø209.1 ± 0.1	12.7 10.20 min 12.75 max	564	75	BR-101065-003				
		6061-T6 Aluminum, Type III Anodized	Blank (No holes)						12x M3x0.5-12	6 ± 0.1	599	75	BR-101065-002
			5x M10 Hole										BR-101065-001
		7075-T6 Aluminum, Type III Anodized	Blank (No holes)						12x M3x0.5-12	16 ± 0.1	1458	1000	BR-102206-001
			5x M10 Hole 5x M14 Hole										BR-102206-002
			10x M10 Hole 10x M14 Hole										BR-102206-003
			16x M14 Hole 14x M10 Hole										BR-102206-004

Series Diameter [mm]	Material	(M) Dome Internal Radius [mm]	(N) Dome Wall Thickness [mm]	Weight [g]	Depth Rating [msw]	Item Number
50 (2")	Acrylic Dome, Polycarbonate Retaining Ring	18.0 ± 0.1	2.50 ± 0.10	15	950	BR-100859
75 (3")		31.25 ± 0.10	3.1 ± 0.1	39	750	BR-101059
100 (4")		43.5 ± 0.1	3.75 ± 0.10	81	500	BR-100495
130 (5")	Hardened Polycarbonate Dome, Polycarbonate Retaining Ring	53.5 ± 0.05	7.00 ± 0.05	195	600	BR-102597



¹ Overall tube length tolerance ± 0.5 mm

² The depth ratings for cast acrylic components are applicable only for short-term submersions of less than two weeks. For longer submersion, use aluminum components only.