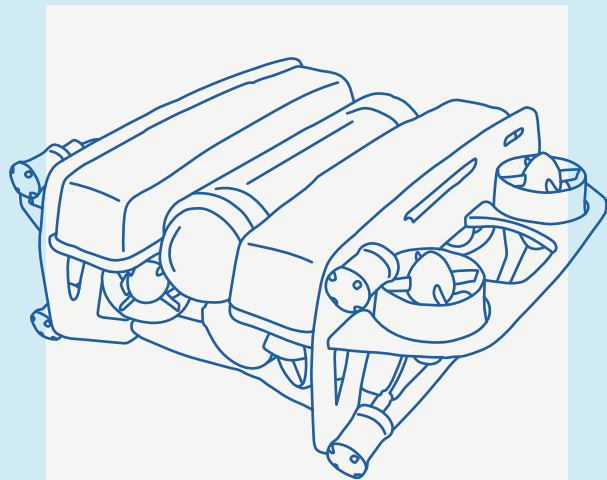
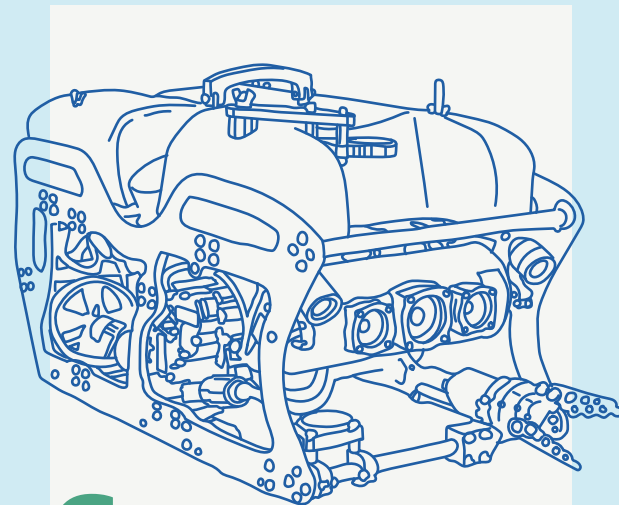


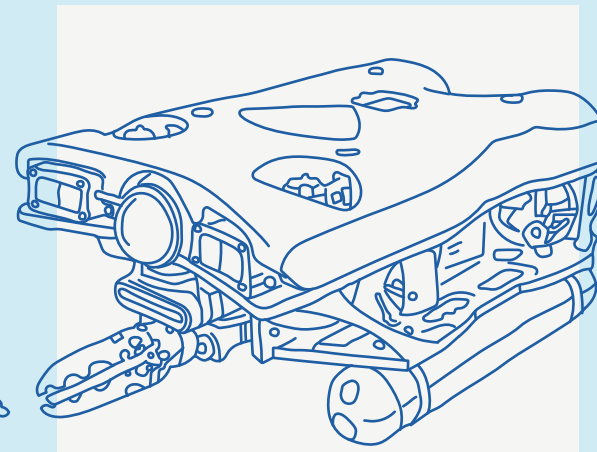
Argus



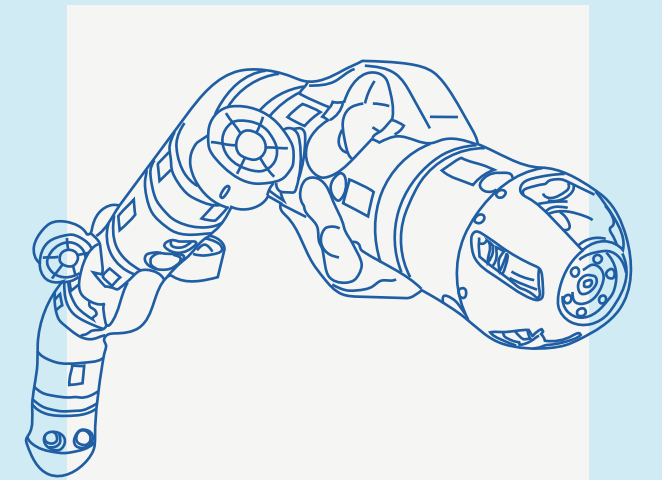
BlueRov2



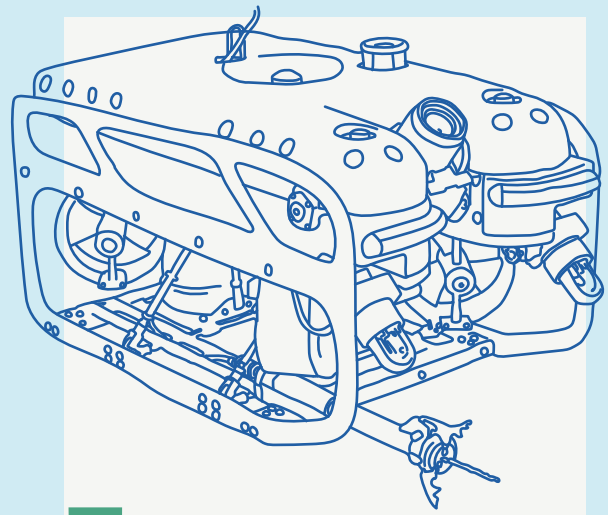
Chinook



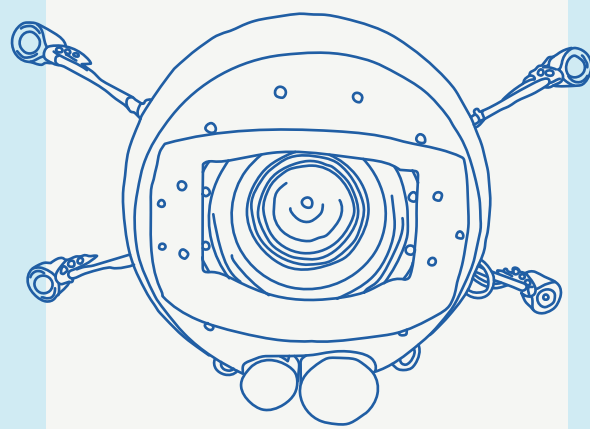
Defender



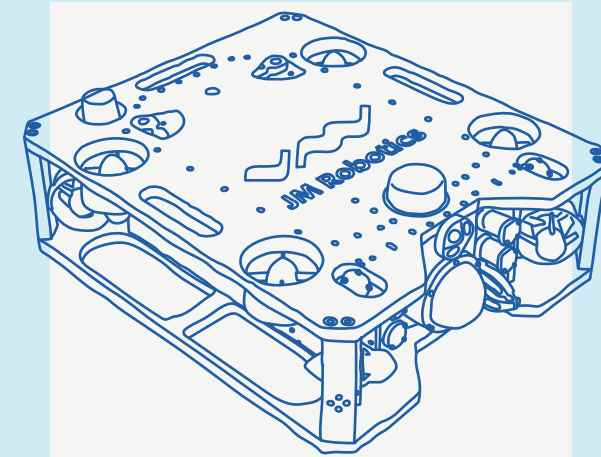
Eelume



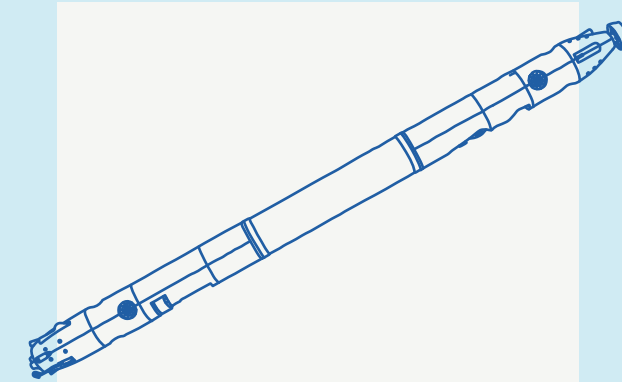
Falcon



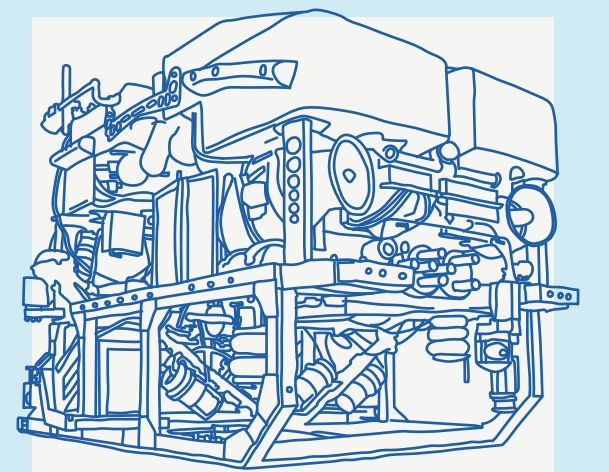
Gulper



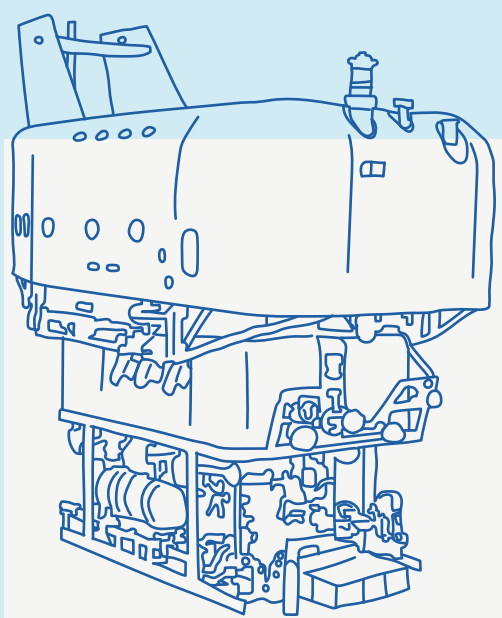
HD3



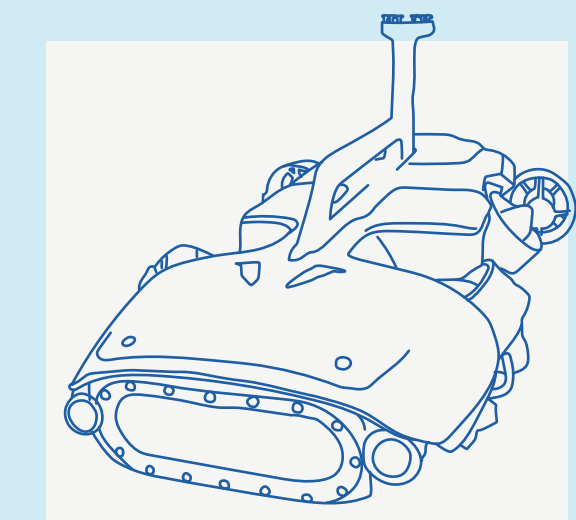
Icefin



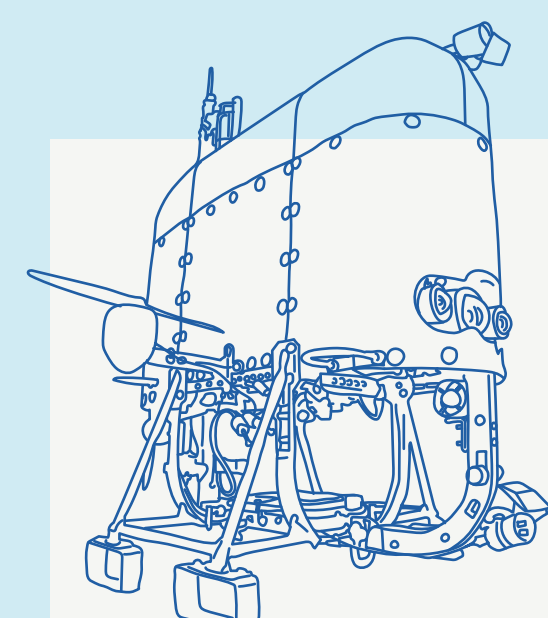
Jason



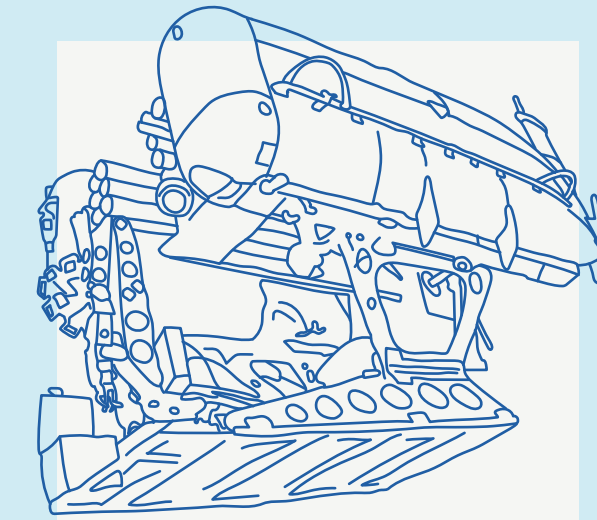
Kaiko



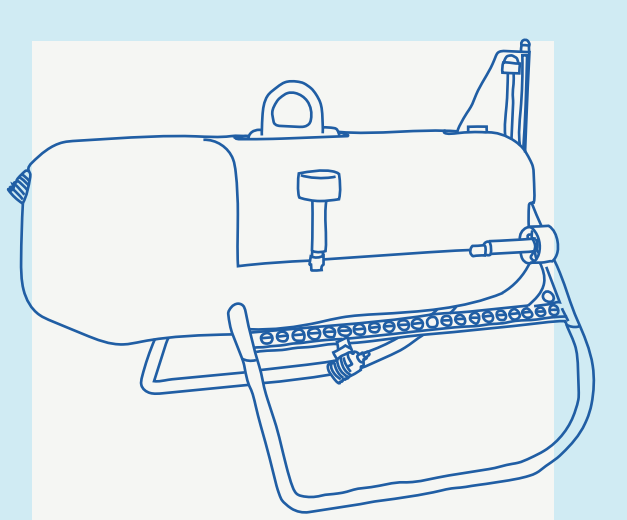
LarvalBot



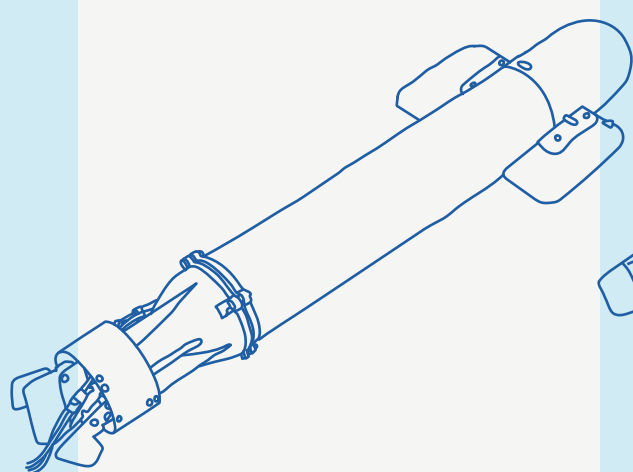
Mesobot



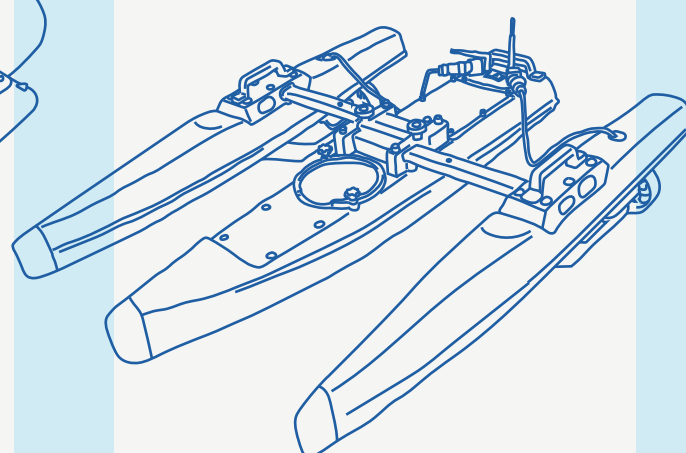
Nereus



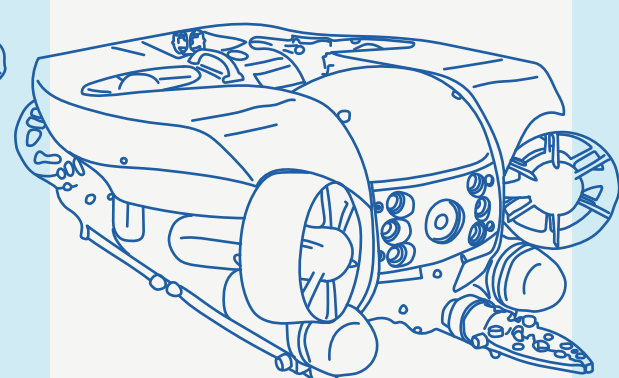
Orpheus



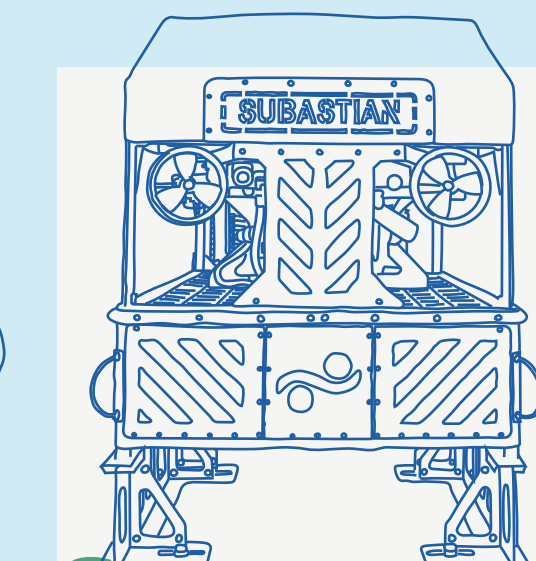
Poodle



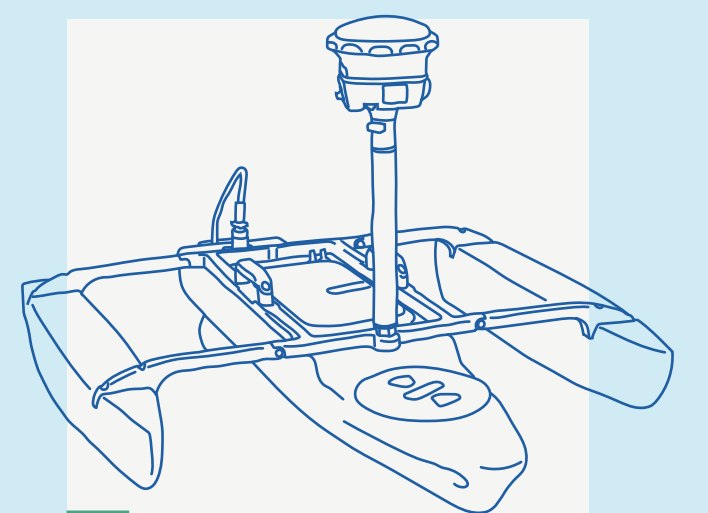
Q-Boat 1250



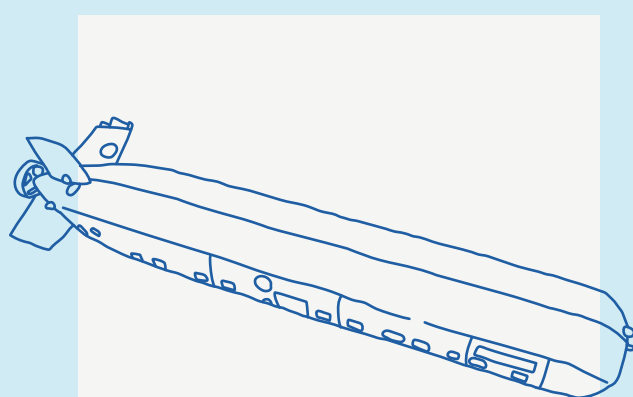
Revolution



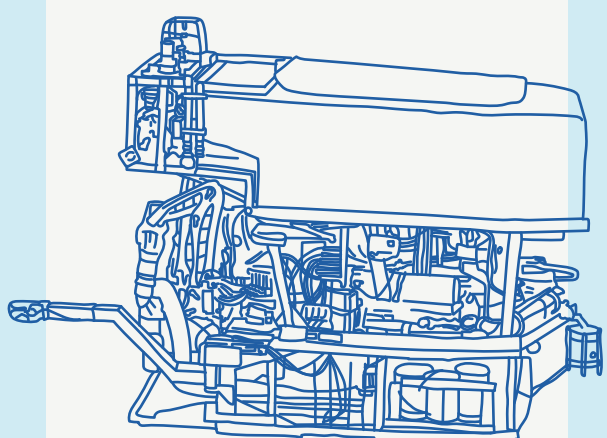
SuBastian



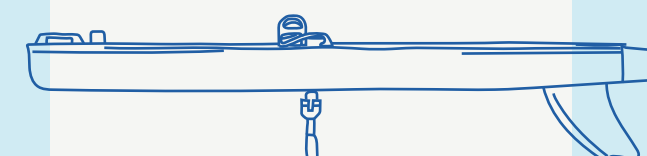
Tridrone



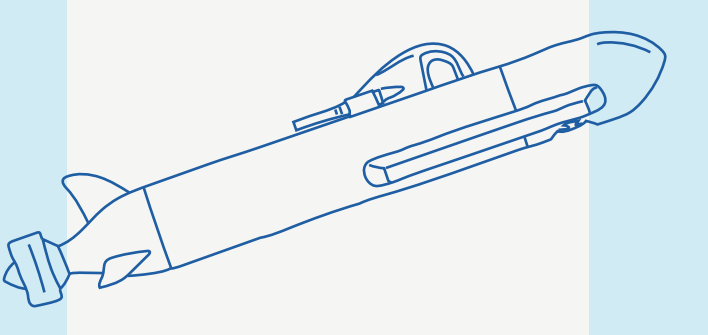
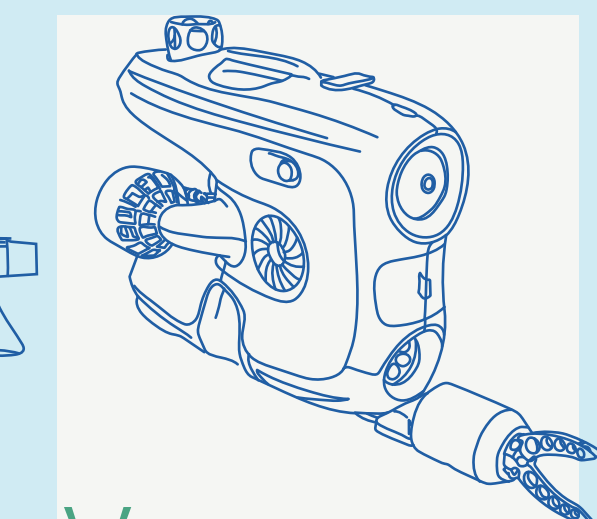
Urashima



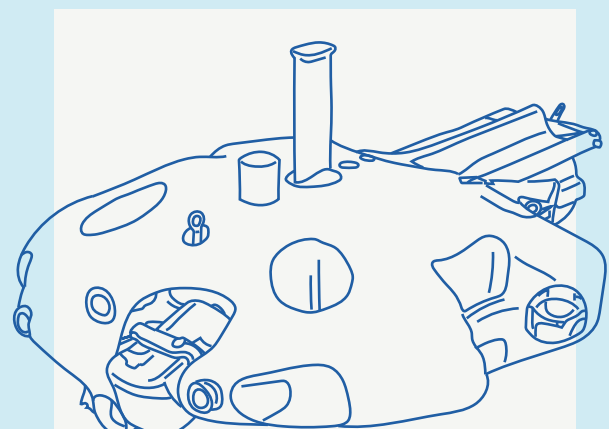
Ventana



Wave Glider X3



YUCO-Scan



Zeno

the ABCs of uncrewed MARINE VEHICLES

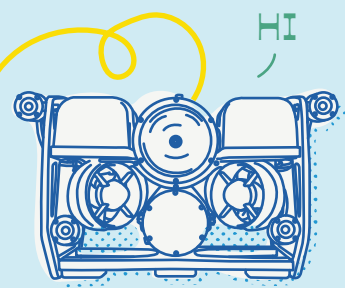
OCEAN DEPTHS



Break down the ABCs with uncrewed marine vehicles

Uncrewed Marine Vehicles

Blue STEAM AHEAD

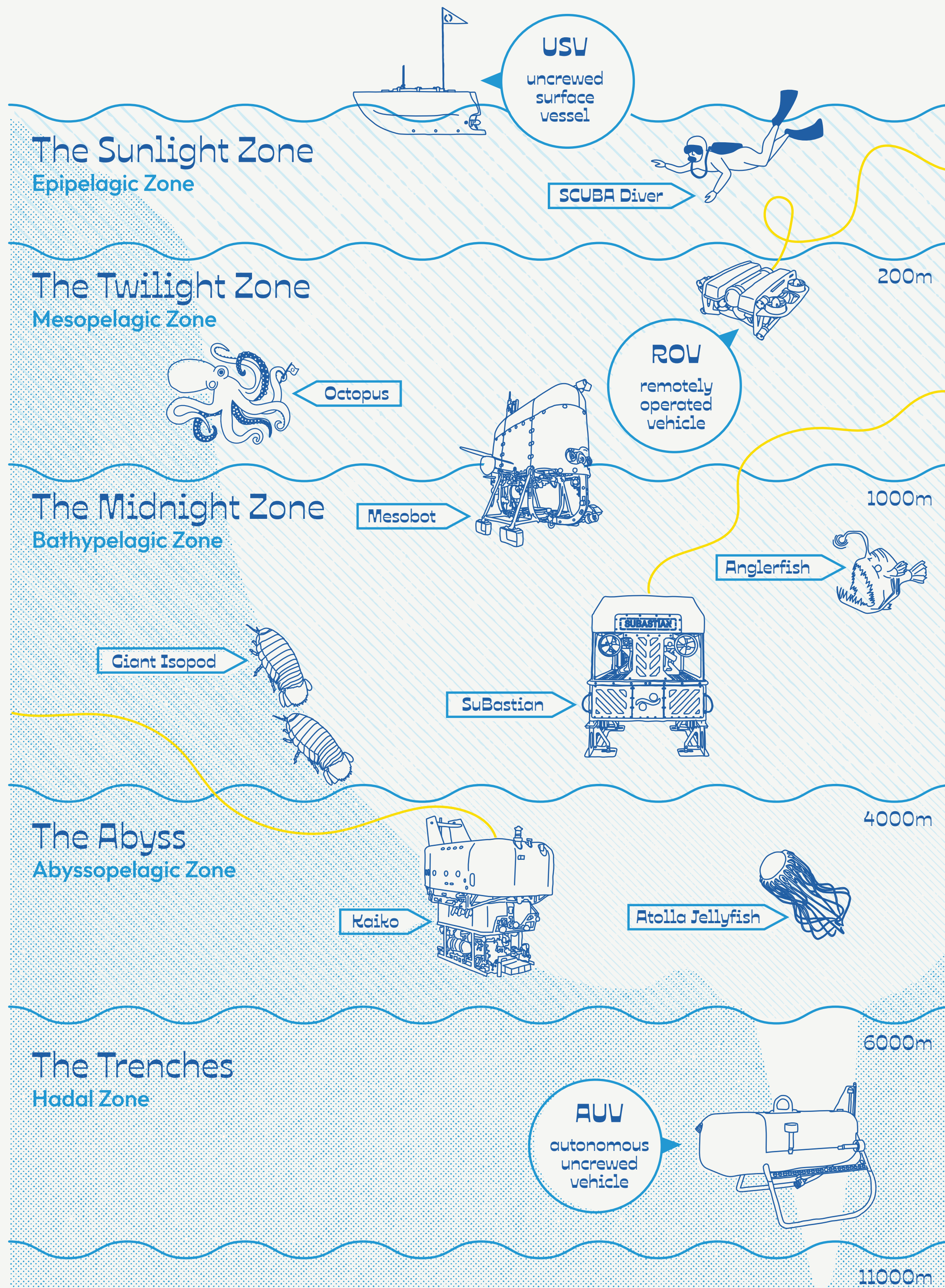


Explore the depths of the sea and the vehicles that journey through them with the ABCs of Uncrewed Marine Vehicles!!

Did you know that giant tube worms, AKA *Riftia Pachyptila*, were discovered in 1977 while exploring the Galapagos hydrothermal vents by the ROV Alvin? Yeah, neither did we.

ROVs, AUVs, and USVs help us understand what lies beneath, and each vehicle is uniquely special, with its own set of capabilities and functions.

Let's dive in!



Argus (ROV)
 Made by: Nautilus Ocean Exploration Trust
 Depth Rating: 4000m
 Fun Fact: Hovers above the ROV **Hercules** during deep dives.

BlueROV2 (ROV)*
 Made by: Blue Robotics
 Depth Rating: 300m
 Applications: Inspections, research, adventuring - options are nearly limitless!

Chinook (ROV)*
 Made by: Seamor Marine
 Depth Rating: 600m
 Fun Fact: Has fished 630kg of ghost gear out of the ocean.

Defender (ROV)*
 Made by: VideoRay
 Depth Rating: 1000m
 Applications: Dangerous or heavy-duty missions.
 Fun Fact: Used by the US Navy.

Eelume M-Series (AUV/ROV)*
 Made by: Eelume
 Depth Rating: 500m
 Fun Fact: Sensor or tool carrier AKA "Snake Lego"

Falcon (ROV)*
 Made by: Saab Seaeeye
 Depth Rating: 300m
 Fun Fact: Assists in "Flying Kites Underwater"

Gulper (AUV)
 Made by: MBARI
 Fun Fact: Designed to rapidly acquire multiple large-volume seawater samples at distinct locations.

HD3 (ROV)*
 Made by: JM Robotics
 Depth Rating: 300m
 Fun Fact: Chevron's newest tool for subsea inspections.

Icefin (ROV/AUV)
 Made by: PI Schmidt, Georgia Tech, Cornell University
 Depth Rating: 1000m
 Fun Fact: Deployed through ~600m hot water drilled boreholes to investigate the grounding zones of Thwaites Glacier and the Ross Ice Shelf.

Jason (ROV)
 Made by: WHOI
 Release Year: 1988 (1st Gen); 2002 (2nd Gen)
 Fun Fact: Part of a two-body system with **Madea** with a successful side career in underwater archeology.

Kaiko (ROV)
 Made by: JAMSTEC
 Depth Rating: 4500m
 Fun Fact: Lost at sea after conducting more than 250 dives and collecting 350 biological species

LarvalBot (ROV)
 Made by: QUT
 Applications: Regenerates reefs by distributing coral larvae

Mesobot (ROV/AUV)
 Made by: WHOI x MBARI
 Depth Rating: 1000m
 Fun Fact: Collects eDNA and has a childrens' book written about it.

Nereus (ROV/AUV)
 Made by: WHOI
 Depth Rating: 11000m
 Applications: Designed to explore Challenger Deep

Orpheus (AUV)
 Made by: WHOI
 Release Year: 2018
 Depth Rating: 11000m
 Applications: Systemic exploration and sample collection in the Hadal Zone.

Poodle (ROV)
 Made by: Dimitri Rebikoff
 Release Year: 1953
 Applications: Developed for divers and photography
 Fun Fact: The First ROV!

Q-Boat 1250 (USV)*
 Made by: Teledyne Marine
 Fun Fact: Designed specifically for shallow water applications.

Revolution (ROV)*
 Made by: Deep Trekker
 Depth Rating: 305m
 Applications: Search & recovery, inspection, monitoring.

SuBastian (ROV)
 Made by: Schmidt Ocean Institute
 Depth Rating: 4500m
 Fun Fact: Built specifically for ocean science off of Research Vessel Falkor.

Theseus (AUV)
 Made by: QUT
 Applications: Arctic defense research

Urashima (AUV)
 Made by: JAMSTEC
 Depth Rating: 3500m
 Fun Fact: Started its life as an experimental vehicle.

Ventana (ROV)
 Made by: MBARI
 Applications: Benthic work, sampling, environmental studies, experiments.

Wave Glider (USV)*
 Made by: Liquid Robotics (Boeing)
 Applications: Converting wave motion into propulsion, defense, security, environmental assessment.

X3 (ROV)*
 Made by: Blueye Robotics
 Depth Rating: 305m
 Applications: Inspections, underwater operations
 Fun Fact: Captured the first public footage of the damaged pipeline Nord Stream 1.

YUCO-Scan (AUV)*
 Made by: SEABER
 Depth Rating: 300m
 Fun Fact: The first micro-AUV to successfully cross the English Channel.

Zeno (ROV/AUV)*
 Made by: MDM Team
 Depth Rating: 100m
 Applications: Surveys, inspections.

*vehicles you can actually buy!