

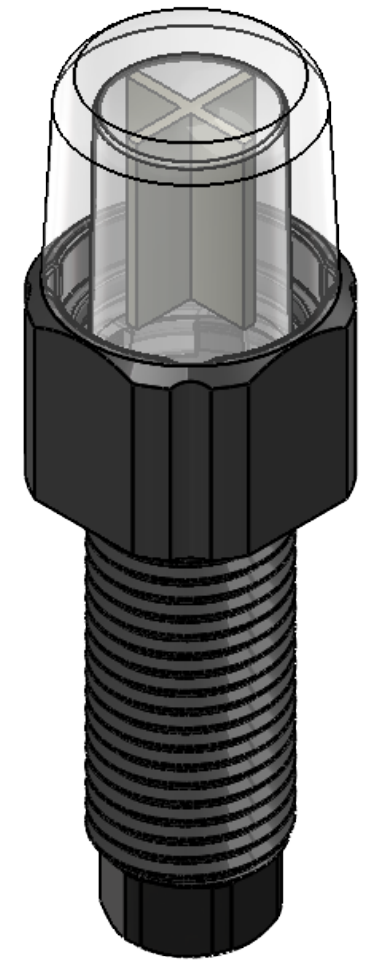
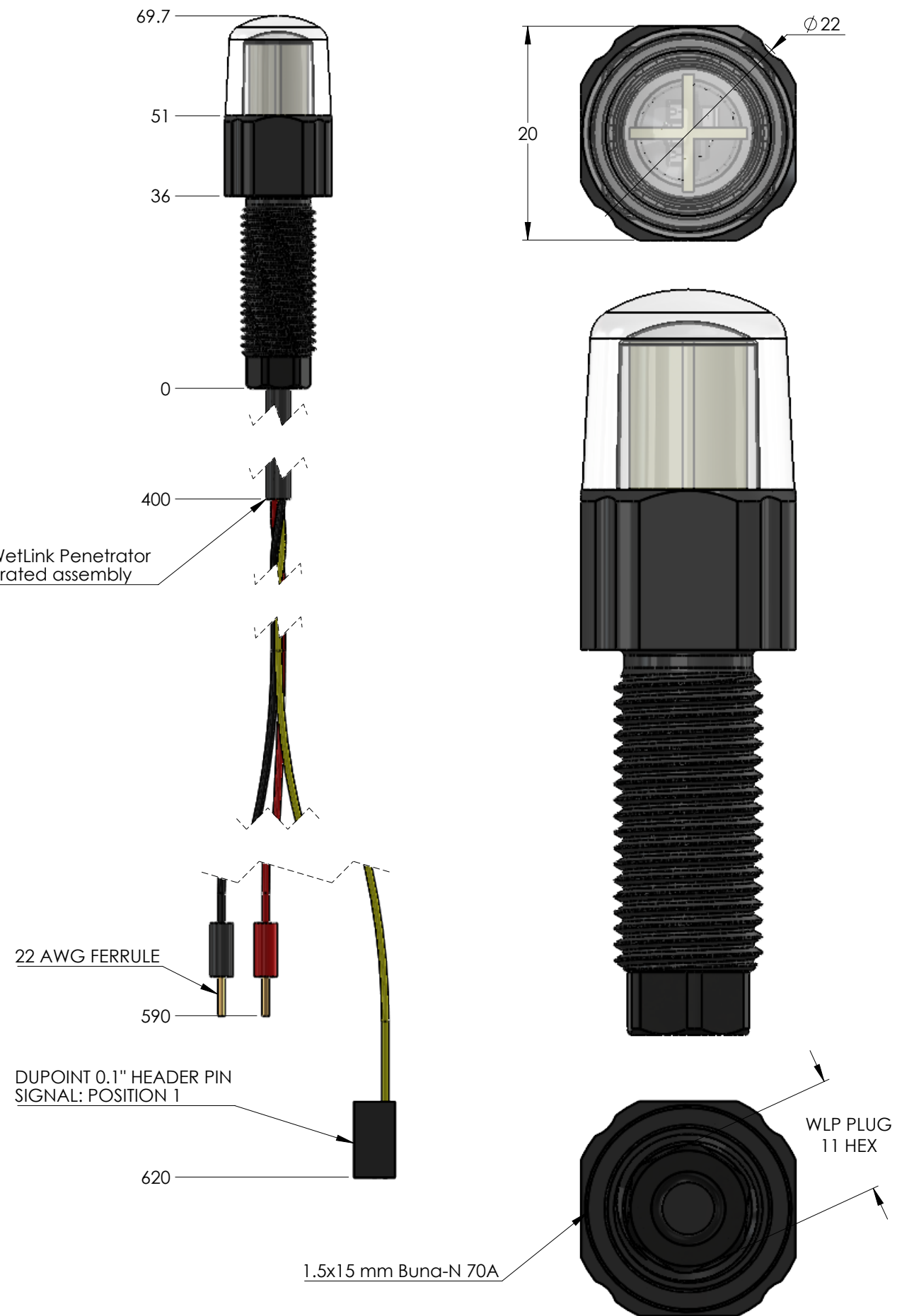
BR-101284

NAVLIGHT, FOR BLUEBOAT

NOTE:

- 5-12 V INPUT
- POSITIVE (RED), SIGNAL (YELLOW), AND NEGATIVE (BLACK)
- 950 m RATED
- DEFAULT MODE: NORMALLY ON
- SIGNAL PROTOCOL: PULL SIGNAL TO NEGATIVE TO TURN OFF
- SEE <https://bluerobotics.com/> FOR PRODUCT SPECIFICATIONS

Add a 4.5 mm LC WetLink Penetrator to achieve a 950m rated assembly



FOR PUBLIC RELEASE

	ITEM NUMBER	BR-101284	REV
DESCRIPTION: NavLight, for BlueBoat			
MATERIAL:		FINISH:	
UNLESS OTHERWISE SPECIFIED ALL DIMENSIONS IN MM			
WEIGHT IN AIR: 38 g	SIZE A	SCALE: 1:1	SHEET 1 OF 1