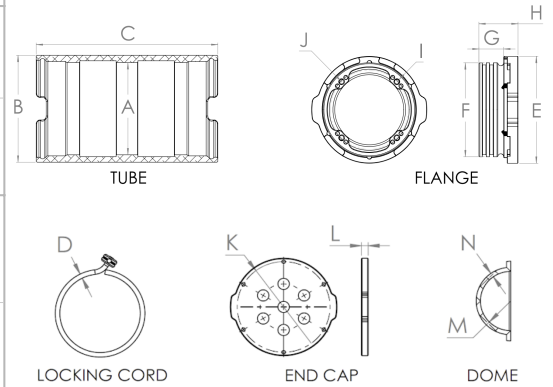
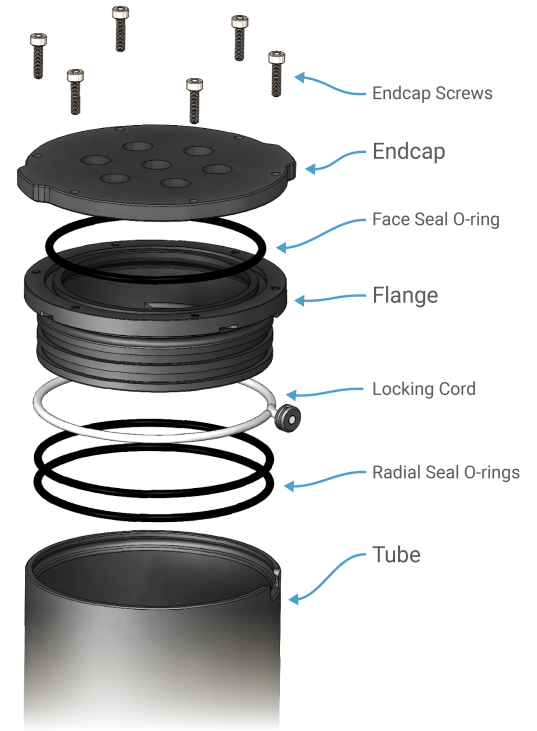


Tubes

Series Diameter [mm]	Tube Material / Finish	(A) Tube ID [mm]	(B) Tube OD [mm]	(C) Overall Length ¹ [mm]	Weight [g]	Depth Rating ² [msw]	Item Number
 50 (2")	6061-T6 Aluminum, Anodized	Ø50.0 ± 0.5	Ø58.0 ± 0.2	100	169	1000	BR-100534-100
				150	261		BR-100534-150
				300	536		BR-100534-300
	Cast Acrylic	Ø49.5 ± 1.5	Ø58.0 ± 1.0	100	75	225	BR-100230-101
				150	115	130	BR-100230-151
				300	238	100	BR-100230-301
 75 (3")	6061-T6 Aluminum, Anodized	Ø80.14 ± 0.20	Ø86.5 ± 0.3	150	328	1000	BR-100611-150
				240	530	1000	BR-100611-240
				300	665	900	BR-100611-300
	Cast Acrylic	Ø76.2 ± 2.0	Ø88.9 ± 0.7	400	890	750	BR-100611-400
				150	264	275	BR-102649-150
				240	442	150	BR-102649-240
300	560	135	BR-102649-300				
400	758	120	BR-102649-400				
 100 (4")	6061-T6 Aluminum, Anodized	Ø104.16 ± 0.20	Ø112.0 ± 0.3	200	707	1000	BR-100195-200
				300	1066	1000	BR-100195-300
				400	1426	800	BR-100195-400
	Cast Acrylic	Ø101.6 ± 2.1	Ø114.3 ± 0.8	200	488	140	BR-101052-200
				300	746	100	BR-101052-300
				400	1004	60	BR-101052-400
 130 (5")	6061-T6 Aluminum, Anodized	Ø130 ± 0.5	Ø138.7 ± 0.3	300	1450	1000	BR-101409-300
				500	2441	500	BR-101409-500
 150 (6")	6061-T6 Aluminum, Anodized	Ø150 ± 0.5	Ø163.9 ± 0.3	300	2510	1000	BR-101411-300
				500	4360	1000	BR-101411-500
 200 (8")	6061-T6 Aluminum, Anodized	Ø200 ± 0.5	Ø214.2 ± 0.3	300	3420	1000	BR-101412-300
				500	5915	1000	BR-101412-500



Flanges

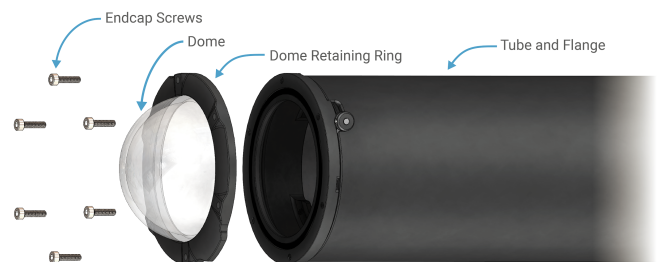
Series Diameter [mm]	Face Seal O-ring	Radial Seal O-ring	Material / Finish	(D) Locking Cord Diameter [mm]	(E) Flange OD [mm]	(F) Piston Diameter [mm]	(G) Piston Length [mm]	(H) Overall Length [mm]	(I) Inner Mounting Holes	(J) Inner Mounting Hole Circle	Weight [g]	Item Number			
 50 (2")	-030 Buna-N 70A	-030 Buna-N 70A	6061-T6 Aluminum, Anodized	2.8 ± 0.2	Ø58.0 ± 0.1	Ø50.95 ± 0.05	15.5 ± 0.1	21.5 ± 0.1	4x M3x0.5	Ø43.0 ± 0.1	41	BR-100628-998			
										 75 (3")	-148 Buna-N 70A	-150 Buna-N 70A	Ø68.6 ± 0.1	81	BR-100647
													 100 (4")	-154 Buna-N 70A	-154 Buna-N 70A
 130 (5")	-157 Buna-N 70A	-248 Buna-N 70A				Ø137.7 ± 0.1	Ø130.45 ± 0.05	28.0 ± 0.1	34.0 ± 0.1	Ø115.0 ± 0.1	238	BR-102200			
						 150 (6")	-162 Buna-N 70A	-255 Buna-N 70A	Ø165.4 ± 0.1	Ø156.45 ± 0.05	30.0 ± 0.1	36.0 ± 0.1	Ø142.0 ± 0.1	308	BR-102201
 200 (8")	-170 Buna-N 70A	-265 Buna-N 70A							Ø215.7 ± 0.1	Ø205.95 ± 0.05	36.0 ± 0.1	42.0 ± 0.1	Ø186.0 ± 0.1	540	BR-102202

Series Diameter [mm]		Material	Hole Configuration	Endcap Screws (SS316 Socket Head Cap Screws)	(K) Endcap Screw Hole Circle	(L) Thickness [mm]	Weight [g]	Depth Rating ² [msw]	Item Number			
Warning: Images not to scale	50 (2")	Cast Acrylic	Blank (No holes)	6x M2x0.4-10	Ø50.8 ± 0.1	6.4 ± 0.1	17	600	BR-100094			
		6061-T6 Aluminum, Anodized	Blank (No holes)	Note: Flange integral to endcap, does not require separate flange	6x M3x0.5-12	Ø82.6 ± 0.1	6 ± 0.1	63	1000	BR-100276-999		
			2x M10 Hole					59		BR-100276-002		
			4x M10x1.5 Threaded					58		BR-100276-004		
			1x M10 Hole					60		BR-100276-009		
			8x M6x1 Threaded							BR-100276-009 coming soon!		
	75 (3")	Cast Acrylic	Blank (No holes)	6x M3x0.5-12	Ø82.6 ± 0.1	6 ± 0.1	9 ± 0.1	58	400	BR-100949-998		
		6061-T6 Aluminum, Anodized	Blank (No holes)				102	BR-100949-999				
			4x M10 Hole				97	1000	BR-100949-004			
			7x M10 Hole				93	BR-100949-007				
	100 (4")	Cast Acrylic	Blank (No holes)	6x M3x0.5-16	Ø108.0 ± 0.1	10 ± 0.1	12.7 ± 0.1	135	500	BR-102993-998		
			6061-T6 Aluminum, Anodized					Blank (No holes)	234	BR-102993-999		
5x M10 Hole								223	BR-102993-005			
10x M10 Hole								212	BR-102993-002			
7x M10 Hole								196	BR-102993-003			
11x M10x1.5 Threaded									BR-102993-004			
6061-T6 Aluminum, Anodized		4x M14 Hole	215	BR-102993-004								
		1x M10 Hole		BR-102993-006								
		8x M14 Hole	186	BR-102993-007								
		2x M10 Hole										
		8x M14x1.5 Threaded	186									
		5x M10 Hole										
2x M10x1.5 Threaded												
130 (5")	7075-T6 Aluminum, Anodized	Blank (No holes)	10x M3x0.5-12	Ø133.0 ± 0.1	10 ± 0.1	427	1000	BR-102203-001				
		5x M14 Hole				393	BR-102203-002					
		5x M10 Hole				367	BR-102203-003					
		10x M14 Hole					BR-102203-004					
		7x M10 Hole										
11x M10 Hole												
150 (6")	Cast Acrylic	Blank (No holes)	10x M3x0.5-16	Ø158.7 ± 0.1	12.7 ± 0.1	331	150	BR-100273-004				
		6061-T6 Aluminum, Anodized				Blank (No holes)	10x M3x0.5-12	Ø158.7 ± 0.1	6 ± 0.1	359	150	BR-100273-003
						5x M10 Hole				353	BR-100273-002	
	15x M10 Hole	339	BR-100273-001									
	7075-T6 Aluminum, Anodized	Blank (No holes)	10x M3x0.5-12	Ø158.7 ± 0.1	12 ± 0.1	687	1000	BR-102205-001				
		5x M10 Hole				647	1000	BR-102205-002				
5x M14 Hole		566				BR-102205-003						
16x M14 Hole												
13x M10 Hole												
200 (8")	Cast Acrylic	Blank (No holes)	12x M3x0.5-16	Ø209.1 ± 0.1	16 ± 0.1	12.7 ± 0.1	564	75	BR-101065-003			
		Blank (No holes)					12x M3x0.5-12	Ø209.1 ± 0.1	16 ± 0.1	6 ± 0.1	599	75
	6061-T6 Aluminum, Anodized	5x M10 Hole	592	BR-101065-001								
		Blank (No holes)	12x M3x0.5-12	Ø209.1 ± 0.1	16 ± 0.1	1458	1000	BR-102206-001				
	7075-T6 Aluminum, Anodized	5x M10 Hole				1370		BR-102206-002				
		5x M14 Hole				1283		BR-102206-003				
		10x M10 Hole						BR-102206-004				
	10x M14 Hole											
	16x M14 Hole											
	14x M10 Hole											

End Caps

Domes

Series Diameter [mm]	Material	(M) Dome Internal Radius [mm]	(N) Dome Wall Thickness [mm]	Weight [g]	Depth Rating [msw]	Item Number
50 (2")	Acrylic Dome, Polycarbonate Retaining Ring	18.0 ± 0.1	2.50 ± 0.10	15	950	BR-100859
75 (3")		31.25 ± 0.10	3.1 ± 0.1	39	750	BR-101059
100 (4")		43.5 ± 0.1	3.75 ± 0.10	81	500	BR-100495
130 (5")	Hardened Polycarbonate Dome, Polycarbonate Retaining Ring	53.5 ± 0.05	7.00 ± 0.05	195	600	BR-102597



¹ Overall tube length tolerance ± 0.5 mm

² The depth ratings for cast acrylic components are applicable only for short-term submersions of less than two weeks. For longer submersion, use aluminum components only.