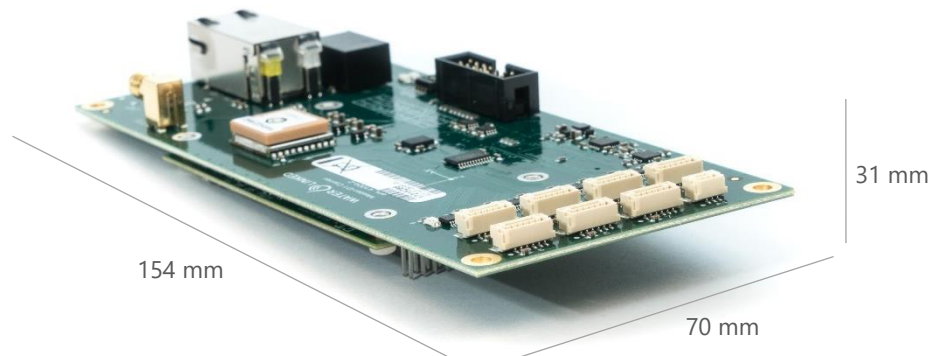


WL-21008 MASTER-D1



DESCRIPTION

The Master-D1 is a digital position computing board. It calculates the position of any Locator relative to the position of the Receivers, as well as global position through use of the integrated GPS and IMU.

The board supports up to 7 independent D1 devices and 1 A1 devices. It is accessed through a network interface. The Master-D1 is running its own webserver which exposes an API and a GUI.

With its small physical footprint, the board is easily integrated into a topside housing.

BENEFITS

- Extremely small footprint enabling easy integration in other equipment.
- Highly robust operation in areas with reflections (shallow water, around installations etc.)

CONTENTS

- Master-D1 board

FAMILY

The Master-D1 is part of the Water Linked Underwater GPS System.

WL-21005 RECEIVER-D1

The Receiver-D1 is a digital hydro acoustic receiver that is designed to receive the signal from a Water Linked Locator. The Receiver-D1 is connected to the Master-D1 using a cable. A minimum of 3 Receiver-D1s are required to get the position of a Locator-D1.



WL-21009 LOCATOR-A1 / WL-21016 LOCATOR-D1

The Locator-A1/D1 are hydro acoustic locator devices that transmits acoustic waves which the Receiver-D1s will receive. The Locator-A1/D1 is connected to the Master-D1 using a cable.



MECHANICAL

Length	: 154 mm
Width	: 70 mm
Thickness	: 31 mm
Operating temperature	: -10 to +60 °C

ELECTRICAL

Input voltage	: 10-18 V
Input current	: 400 mA

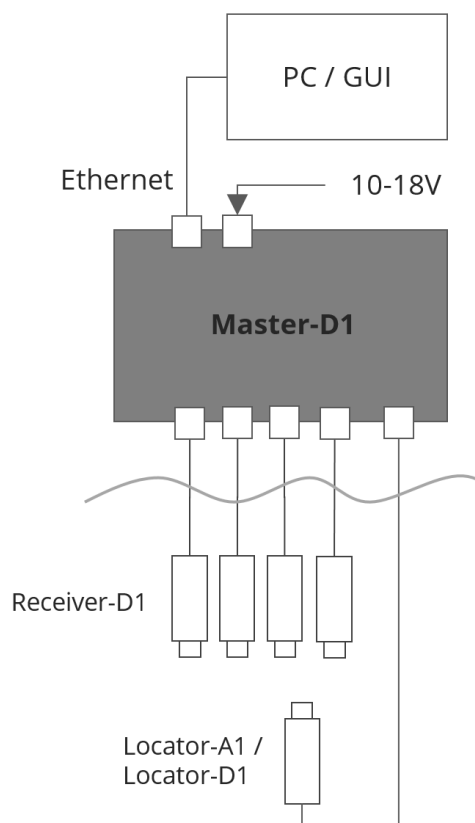
INTERFACES

D1 Interfaces	: 7
D1 connector:	: JST BM06B-GHS-TBT
A1 Interfaces	: 1
A1 connector:	: JST BM03B-GHS-TBT
Ethernet interfaces	: 1 (10/100/1000BASE-X)
Ethernet connector	: RJ45
Power connector	: Molex Micro-Fit 3mm

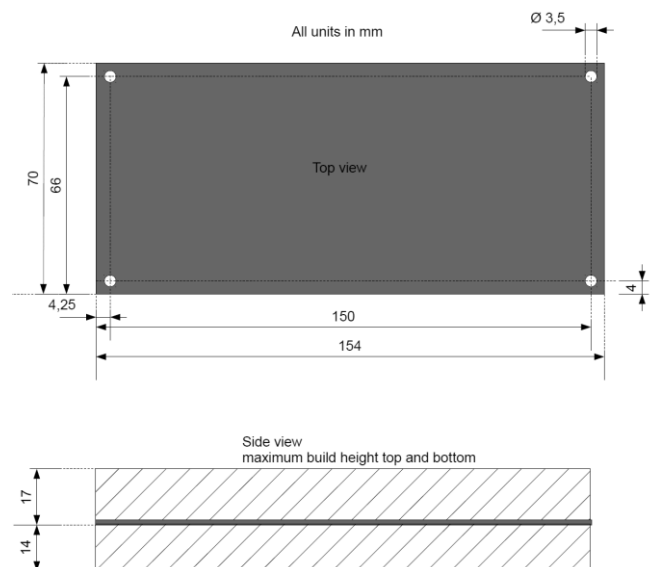
APPROVALS

RoHS compliant
CE

BLOCK DIAGRAM



DIMENSIONS



Water Linked reserves all rights to this document and the information contained herein. Products, names, logos and designs described herein may in whole or in part be subject to intellectual property rights. The information contained herein is provided "as-is". No warranty of any kind, either expressed or implied, is made in relation to the accuracy, reliability, fitness for a particular purpose or content of this document. This document may be revised by Water Linked at any time. For most recent documents, please visit www.waterlinked.com
Copyright © 2017, Water Linked.