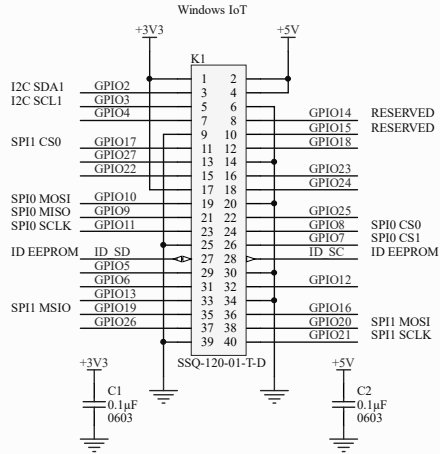
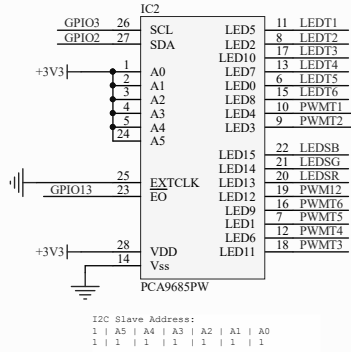


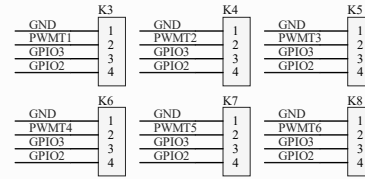
Raspberry Pi Connector



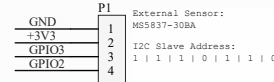
PWM (LED/ESC Driver)



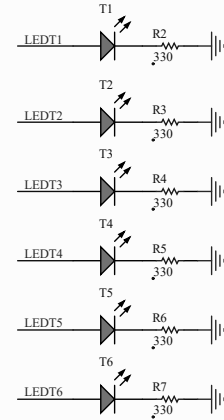
Thurster Terminal Blocks



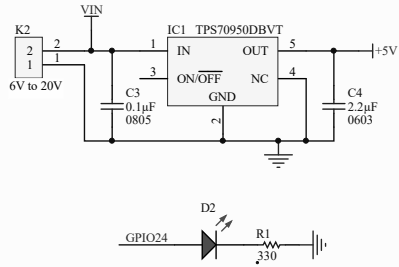
Pressure Sensor Terminal Block



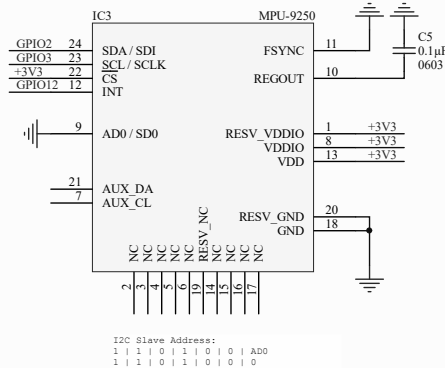
Thurster LEDs



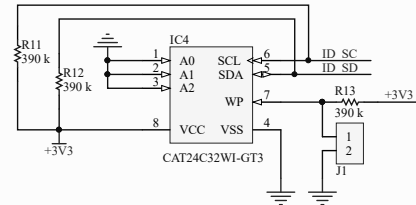
Power



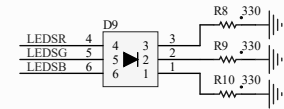
MPU (Motion Sensor)



ID EEPROM

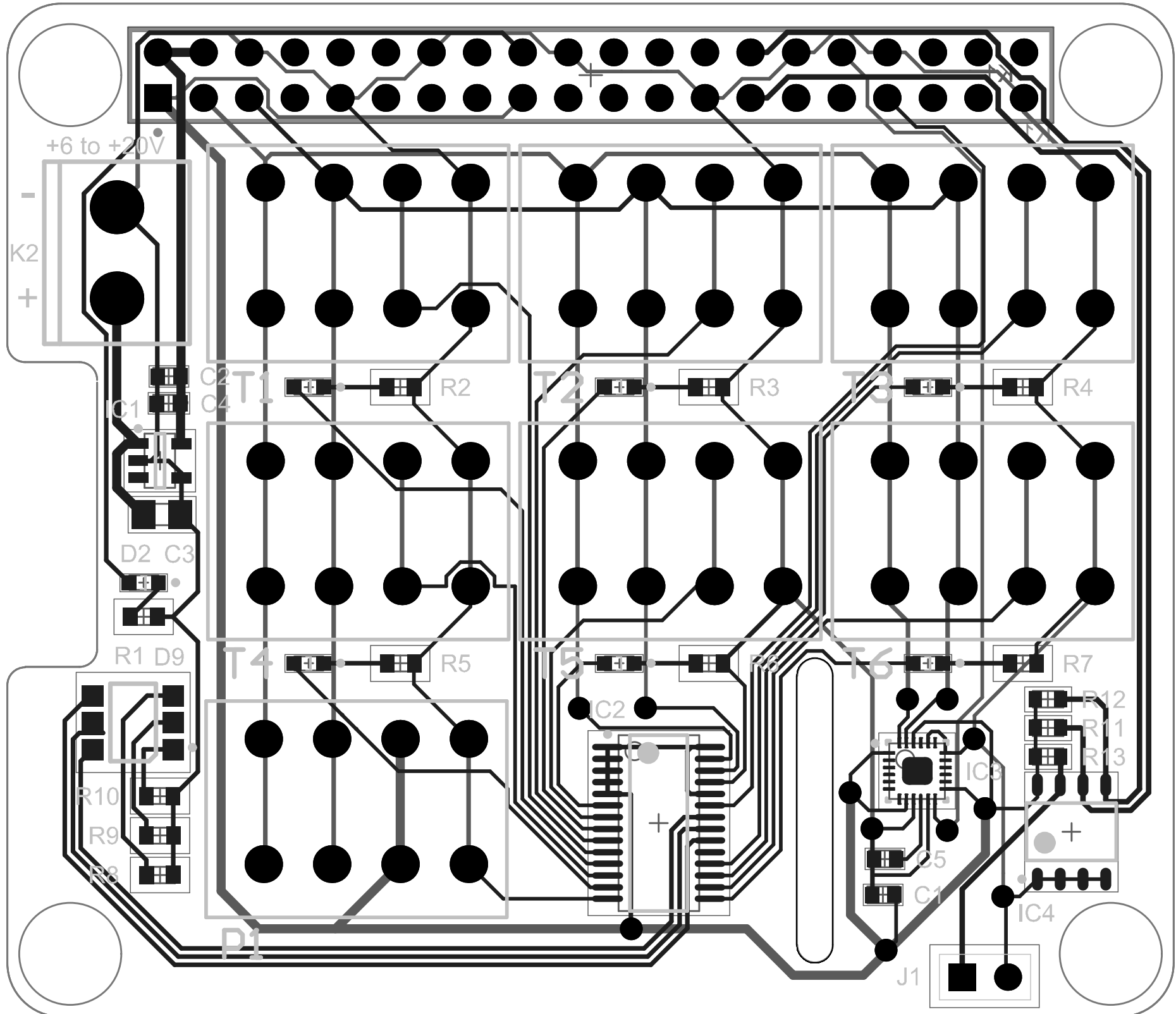


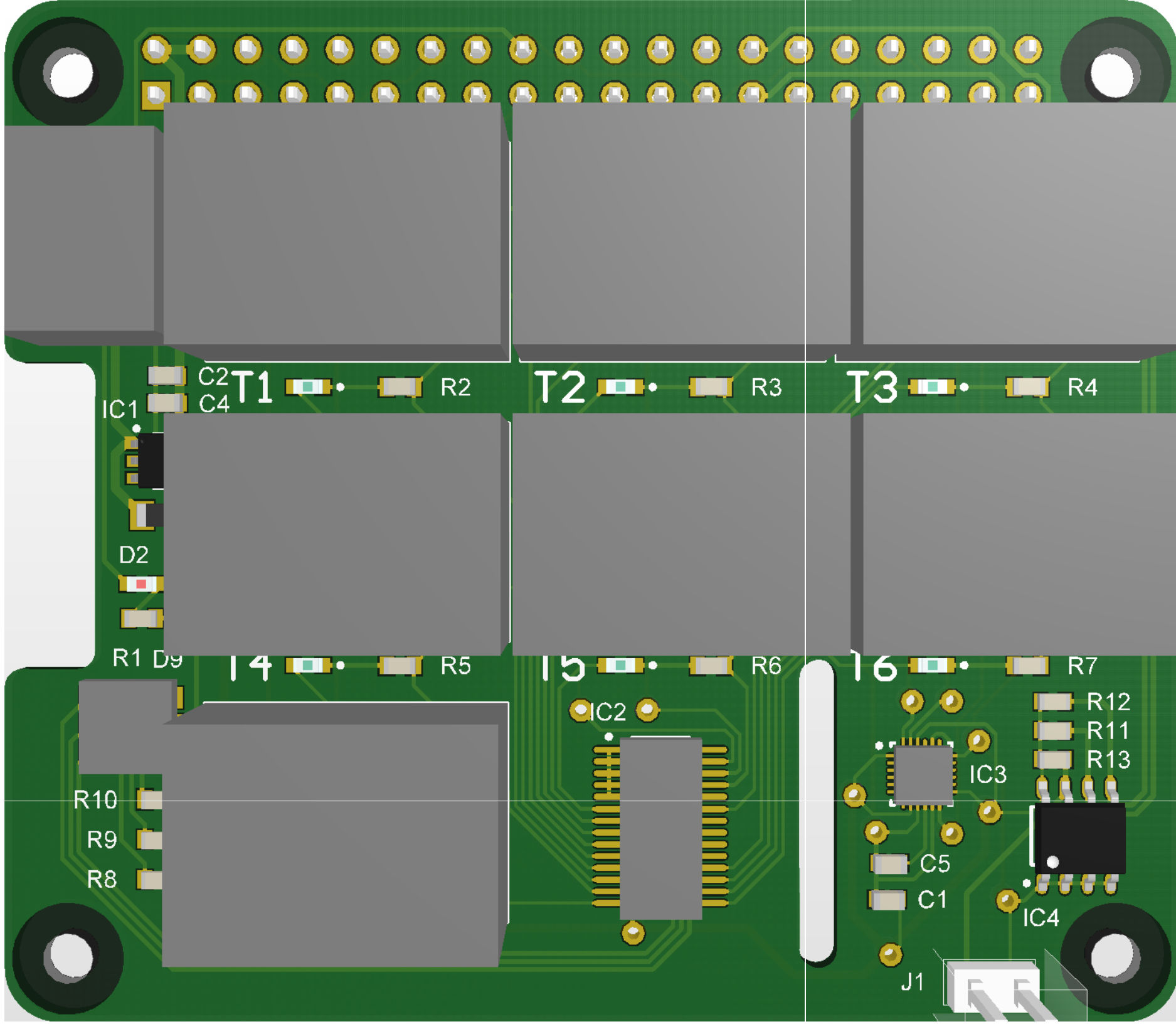
Status LED



Untested Prototype

Title		
Raspberry Pi - BlueRobotics BlueECS Thruster Controller		
Size	Number	Revision
B		
Date:	9/10/2015	Sheet of
File:	RPi-HAT-BlueROV.SchDoc	Drawn By:





IC1
C2
C4
T1
R2

T2
R3

T3
R4

D2

R1
D9
4
R5

IC2
5
R6

6
R7

R10
R9
R8

IC3
R12
R11
R13
C5
C1
IC4

J1